

# AIMTEST-76MM (L23A1)

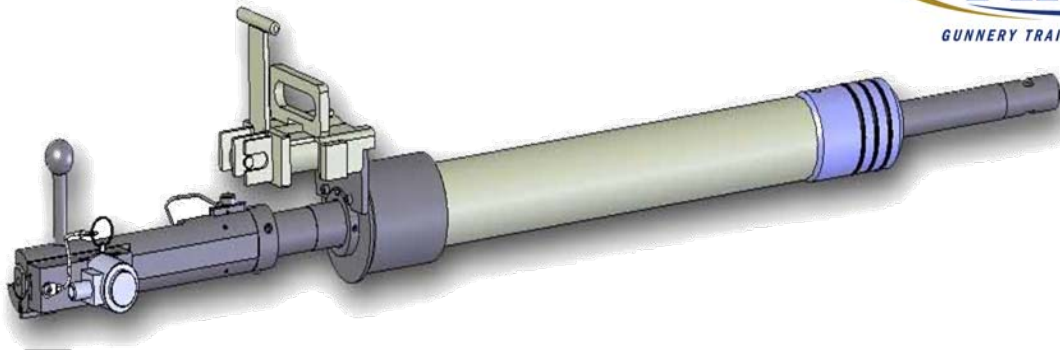
**The Leader in Live-Fire Gunnery Training  
for the World's Armored Forces.**

AIMTEST-76MM



American Apex Corporation  
8515 Rausch Drive · Plain City, OH 43064  
Tel: (614) 652-2000 · Fax: (614) 652-2001  
americanapex.com · gunnerytraining.com

*Realistic, cost-effective solutions for  
main gun live-fire training on main  
battle tanks.*



# AIMTEST-76MM (L23A1)

## Features & Benefits

- AIMTEST-76MM device is easily deployable to training areas and is supportable at the unit level.
- Ease of installation, operation, and maintenance ensures efficient crew training.
- Excellent individual and collective gunnery training device for full and scaled ranges.
- Fires both the M48A1 and M48A2 Spotter-Tracer cal .50 ammunition.
- A "Train as you Fight" device requiring little initial training to operate.
- Adapts to the vehicle's Fire Control System without harm to Fire Control components.
- Environmentally friendly with small noise signature and reduced range limit requirements.

A simple and rugged device designed for the 76MM L23A1 equipped armor fighting vehicle. AIMTEST-76MM is built on the proven technology of the extremely accurate AAC barrel assembly.

## Detailed Specifications

**RANGE:** 1700 meters - M48A1/A2 Spotter-Tracer  
*Max effective range*

**AIMTEST**  
**Weight** 18.4 kgs.  
**Receiver Assembly** Single-shot bolt action receiver  
**Length** 12.75" / 32.4 cm

**Barrel Assembly** Heavy cal .50 (12.7 x 99mm) barrel.  
Precision machined Forward and Rear Adapters  
**Length** 34" / 69.53 cm

**ASSEMBLY:** Loader Single Round in bolt  
*(based on requirement)* Connectivity Existing firing circuit

**SOLENOID**  
**Weight** 33.86 oz / .96 kg  
**Operational Voltage** 18-32 VDC  
**Range** -46 - +60 degrees Celsius  
**Operational Temperature** Maximum 52 daN (116 lbs)  
**Operational Force** 45 daN (100 lbs)  
**Normal**