

**The Leader in Live-Fire Gunnery Training
for the World's Armored Forces.**

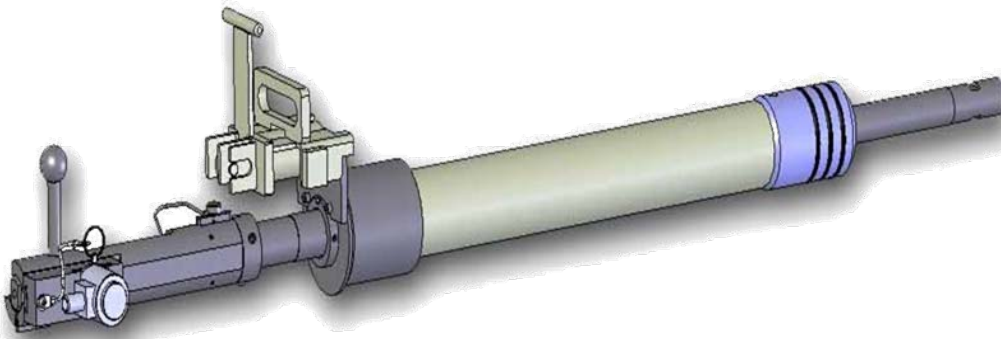
AIMTEST-90MM (all variants)

AIMTEST-90MM (F1)
AIMTEST-90MM (F3 & F4)
AIMTEST-90MM (Mk 3)
AIMTEST-90MM (Mk 8)



American Apex Corporation
8515 Rausch Drive · Plain City, OH 43064
Tel: (614) 652-2000 · Fax: (614) 652-2001
americanapex.com · gunnerytraining.com

*Realistic, cost-effective solutions for
main gun live-fire training on main
battle tanks.*



AIMTEST-90MM (all variants)

Features & Benefits

- AIMTEST-90MM device is easily deployable to training areas and is supportable at the unit level.
- Ease of installation, operation, and maintenance ensures efficient crew training.
- Excellent individual and collective gunnery training device for full and scaled ranges.
- Fires both the SLAP-T and ball cal .50 (12.7mm x 99mm) ammunition.
- A "Train as you Fight" device requiring little initial training to operate.
- Adapts to the vehicle's Fire Control System without harm to Fire Control components.
- Environmentally friendly with small noise signature and reduced range limit requirements.

A simple and rugged device designed for the F1, F3, F4, Mk3 and Mk8 equipped armoured fighting vehicles. The AIMTEST-90MM is built on the proven technology of the extremely accurate AAC barrel assembly.

Detailed Specifications

RANGE:
Max effective range

2000m with M962 SLAP-T
1500m with M20 API-T/M17 Tracer
200m with M860 SRTA

AIMTEST

Weight 22.4 kgs.
Receiver Assembly Single-shot bolt action receiver
Length 12.75" / 32.4 cm

Barrel Assembly Heavy cal .50 (12.7 x 99mm) barrel.
Precision machined Forward and Rear Adapters
Length 45" / 114.3 cm

ASSEMBLY:
(based on requirement)

Loader Single Round in bolt
Connectivity Existing firing circuit

SOLENOID

Weight 33.86 oz / .96 kg
Operational Voltage 18-32 VDC
Range -46 - +60 degrees Celsius
Operational Temperature Maximum 52 daN (116 lbs)
Operational Force 45 daN (100 lbs)
Normal